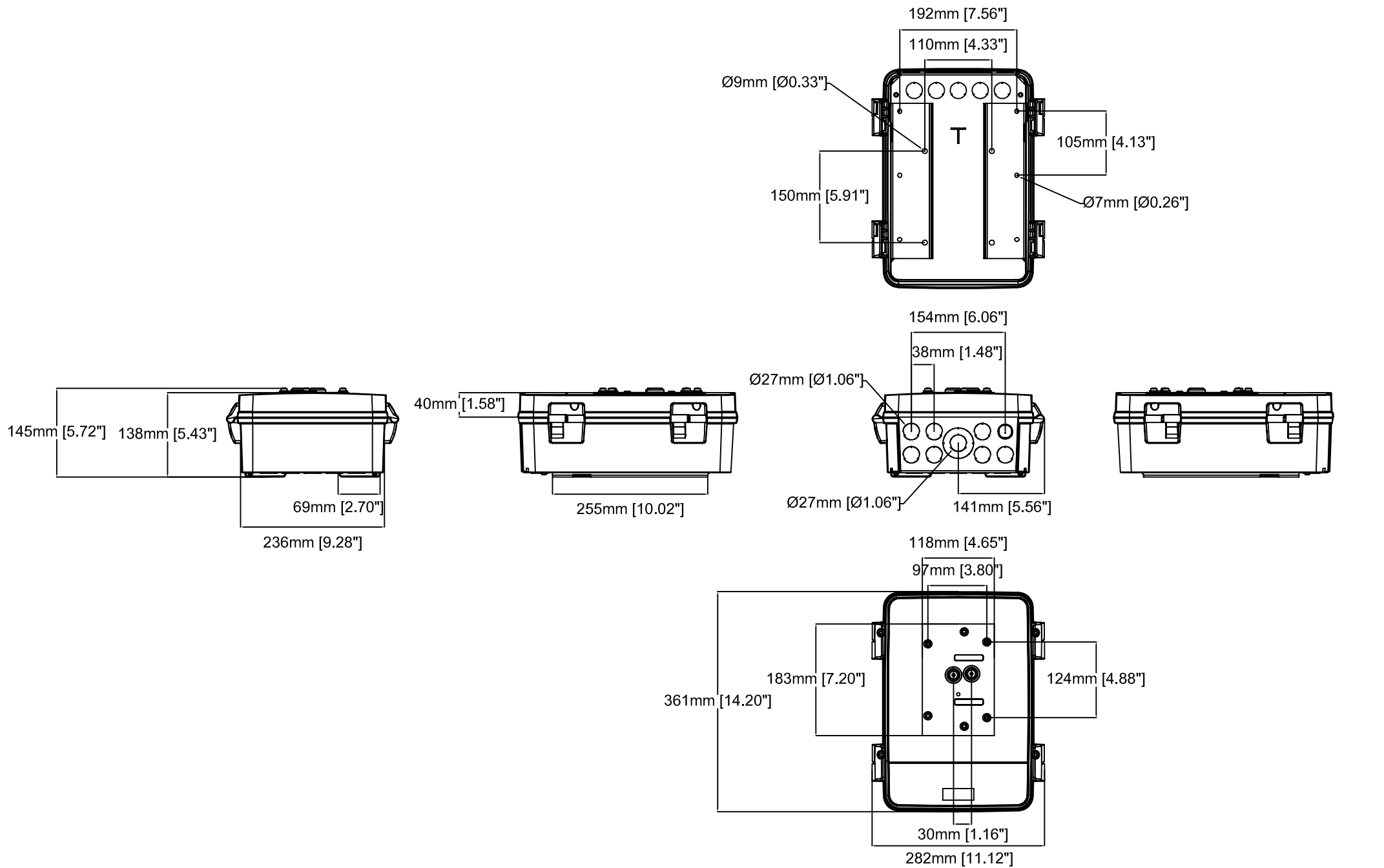


AXIS T98A18-VE Surveillance Cabinet

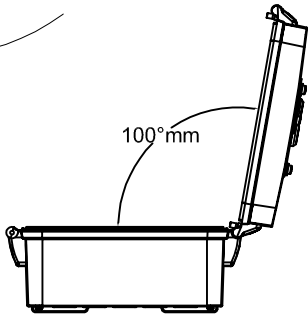
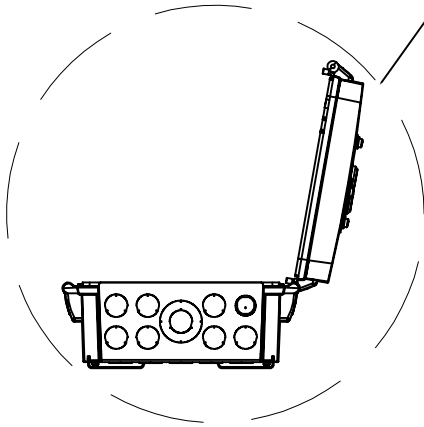
Revision	v.01	Revision date	2017-10-25
Paper size	A4	Release date	2012-06-30
Created by	JOT	Scale	1:5



AXIS T98A18-VE Surveillance Cabinet

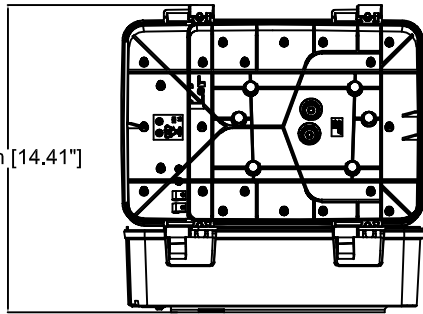
Revision	v.01	Revision date	2017-10-25
Paper size	A4	Release date	2012-06-30
Created by	JOT	Scale	1:8

Cabinet Door, T98A08,
can be installed on either side of the cabinet.

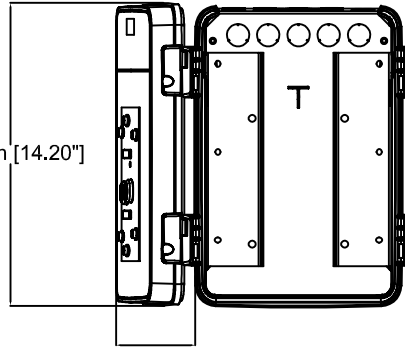


100°mm

366mm [14.41"]

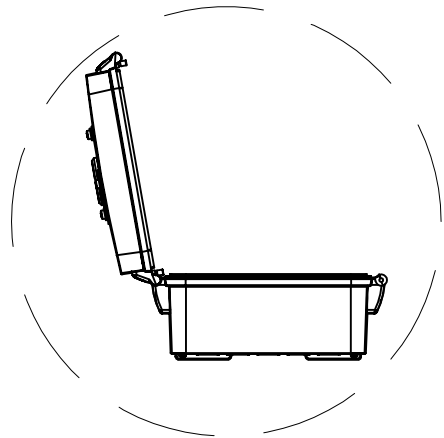
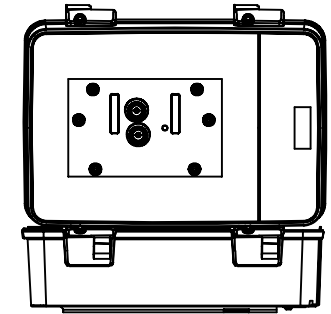
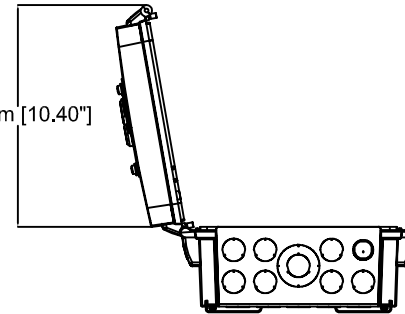


361mm [14.20"]

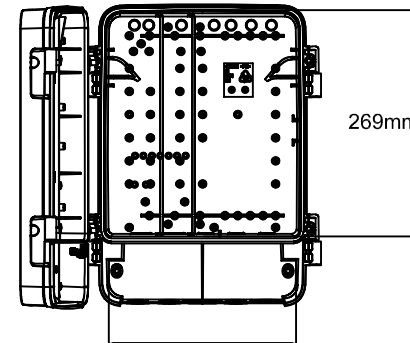


94mm [3.70"]

264mm [10.40"]



269mm [10.60"]



223mm [8.78"]



AXIS T98A18-VE Surveillance Cabinet

Revision	v.01	Revision date	2017-10-25
Paper size	A4	Release date	2012-06-30
Created by	JOT	Scale	1:9